

APPENDIX I - SPECIFICATIONS

JAZZY SELECT SERIES SPECIFICATIONS	
Class of Use:	B
Suspension:	Jazzy Select : Active-Trac Jazzy Select 6 and Jazzy Select 6 With Power Seat: Active-Trac with Mid-Wheel 6 Technology
Drive Wheels:	25.4 cm (10 in.), solid
Castor Wheels:	Jazzy Select: 15.24 cm (6 in.), solid, rear-mounted Jazzy Select 6 and Jazzy Select 6 With Power Seat: 15.24 cm (6 in.), solid, front- and rear-mounted
Anti-tip Wheels:	Jazzy Select only: 12.7 cm (5 in.), solid, front-mounted
Maximum Speed: ¹	Up to 6.44 km/h (4.0 mph)
Range: ^{1,4}	Up to 24.14 km (15 miles)
Brakes:	“Intelligent Braking” electronic regenerative, disc park brake
Ground Clearance: ²	Jazzy Select: See figure 33. Jazzy Select 6 and Jazzy Select 6 With Power Seat: See figure 34.
Maximum Climbing Ability:	10.5% (6°)
Maximum Obstacle Climbing Ability:	5 cm (2 in.)
Maximum Safe Slope:	10.5% (6°)
Turning Radius: ²	Jazzy Select: See figure 33. Jazzy Select 6 and Jazzy Select 6 With Power Seat: See figure 34.
Overall Size: ²	Jazzy Select: See figure 33. Jazzy Select 6 and Jazzy Select 6 With Power Seat: See figure 34.
Drivetrain:	Jazzy Select: Two motor, Mid-wheel drive Jazzy Select 6 and Jazzy Select 6 With Power Seat: Two motor, Mid-wheel-6 drive
Batteries: ³	Two 12-volt, deep-cycle, U-1 batteries
Battery Charger:	5-amp, off-board
Weight Capacity:	136 kg (21 stone/300 lbs.)
Component Weights:	Jazzy Select Base: 40.82 kg (90 lbs.) Jazzy Select 6 Base: 45.36 kg (100 lbs.) Jazzy Select 6 With Power Seat Base: 50.8 kg (112 lbs.) Standard Seat: 16.78 kg (37 lbs.) Batteries: 11.11 kg (24.5 lbs.) each

¹ Varies with base model, user weight, terrain type, battery amp hour rating (Ah), battery charge, battery condition, motors, controller type, tyre type and tyre condition.

² Due to manufacturing tolerances and continued product improvement, this specification can be subject to variance of (+ or -) 3%.

³ AGM or Gel-Cell type required. See VI. “Batteries and Charging.”

⁴ Tested in accordance with ANSI/RESNA, WC Vol 2, Section 4 and ISO 7176-4 standards. Results derived from theoretical calculation based on battery specifications and drive system performance. Test conducted at maximum weight capacity.

NOTE: This product conforms to all applicable ANSI-RESNA testing requirements and ISO 7176 Series EN12184 standards. All specifications subject to change without notice.

APPENDIX I - SPECIFICATIONS

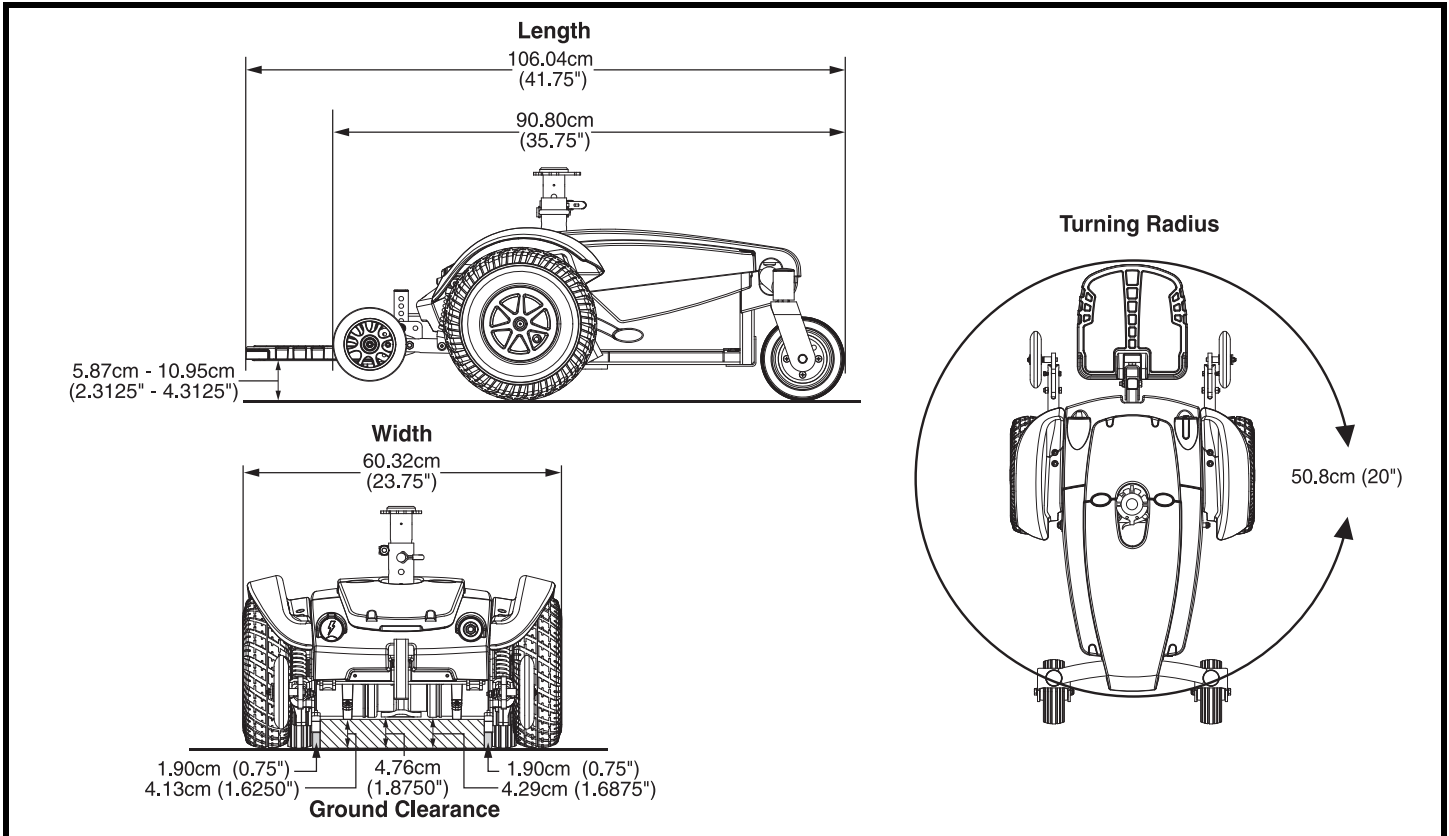


Figure 33. Jazzy Select Dimensions and Ground Clearance

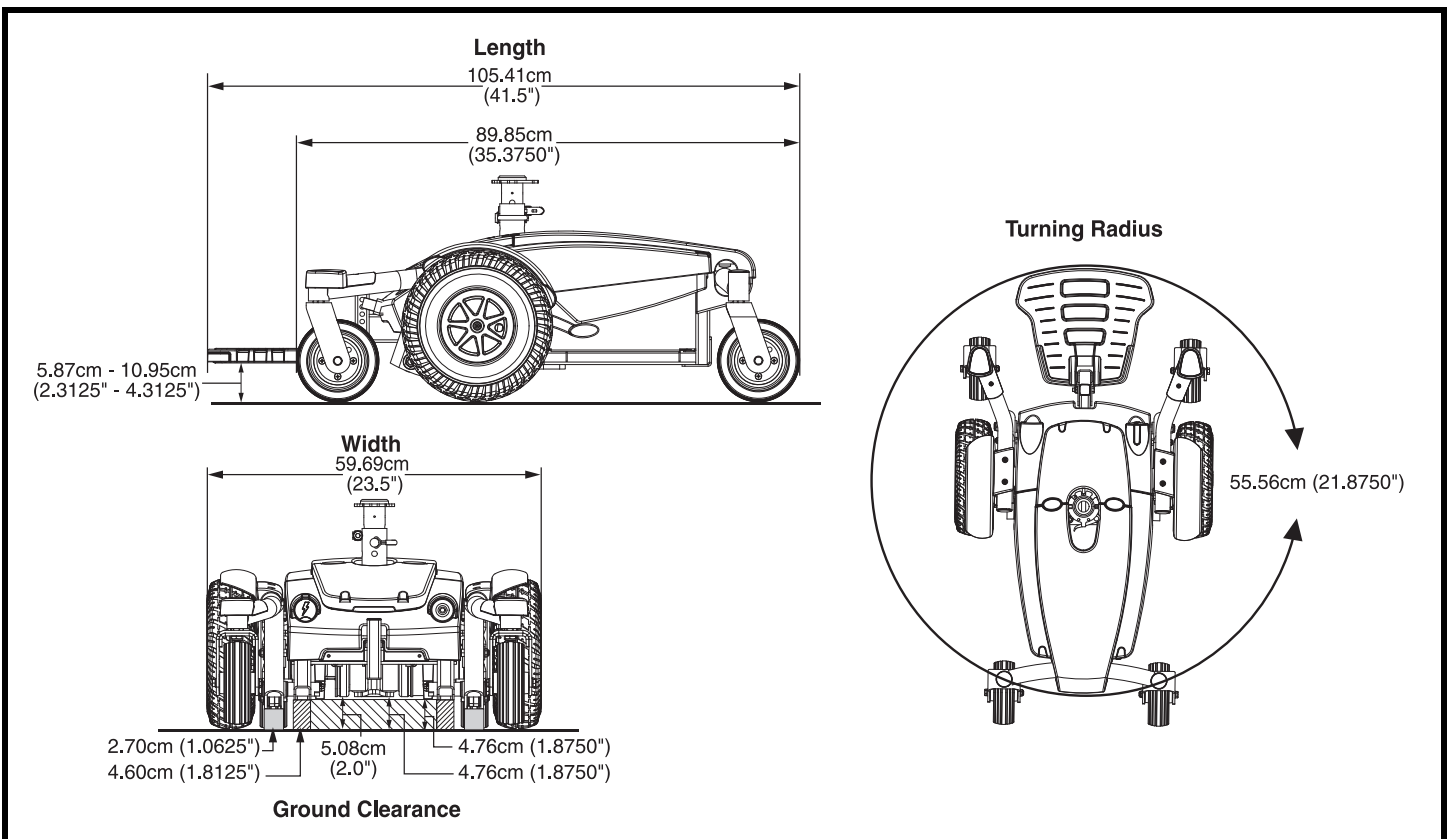


Figure 34. Jazzy Select 6 and Jazzy Select 6 With Power Seat Dimensions and Ground Clearance