

# APPENDIX I - SPECIFICATIONS

Model Numbers	SCUK53, SCUK54
Class of Use	A
Maximum Allowable Incline	10.5% (6°)
Maximum Angle Capacity	17.6% (10°)
Maximum Obstacle Climbing Ability	6.5 cm (2.5 in.)
Overall Length <sup>2</sup>	3-wheel: 101.6 cm (40 in.); 4-wheel: 102.25 cm (40.25 in.)
Overall Width <sup>2</sup>	53.7 cm (21.2 in.)
Total Weight Without Batteries <sup>5</sup>	3-wheel: 39 kg (86 lbs.); 4-wheel: 39.2 kg (86.5 lbs.)
Heaviest Piece When Disassembled (Front Section)	3-wheel: 14.7 kg (32.5 lbs.); 4-wheel: 16 kg (35 lbs.)
Turning Radius <sup>2</sup>	3-wheel: 87.6 cm (34.5 in.); 4-wheel: 116.2 cm (45.75 in.)
Speed (maximum) <sup>1</sup>	Variable up to 6.4 km/h (4 mph)
Range Per Charge <sup>1, 4</sup>	Up to 20.25 km (12.6 miles)
Ground Clearance <sup>2</sup>	7.62 cm (3 in.) at mid-frame
Weight Capacity	147 kg, 23 stone 3 lbs. (325 lbs.)
Standard Seating	Type: Foldable; Material: Black Vinyl
Drive System	Rear-wheel drive, sealed transaxle, 24 volt DC motor
Dual Braking System	Regenerative and electromechanical
Tyres	Type: Solid Size: Front: 5 x 20.32 cm (2 in. x 8 in.) Rear: 7.62 cm x 22.86 cm (3 in. x 9 in.)
Battery Requirements <sup>3</sup>	Type: Two 12 volt, deep-cycle Size: 18 Ah standard
Battery Pack Weight <sup>6</sup>	13.4 kg (29.5 lbs.)
Battery Charger	2-amp Off-board charger

<sup>1</sup> Varies with user weight, terrain type, battery amp-hour rating (Ah), battery charge, battery condition, tyre type and tyre condition. This specification can be subject to a variance of +10%, -5%.

<sup>2</sup> Due to manufacturing tolerances and continual product improvement, this specification can be subject to a variance of (+ or -) 3%.

<sup>3</sup> AGM or Gel-Cell type required. See IV. "Batteries and Charging."

<sup>4</sup> Tested in accordance with ANSI/RESNA, WC Vol 2, Section 4 & ISO 7176-4 standards. Results derived from theoretical calculation based on battery specifications and drive system performance. Test conducted at maximum weight capacity.

<sup>5</sup> Includes standard seat.

<sup>6</sup> Battery weight may vary based on manufacturer.

**NOTE: This product conforms to all applicable ANSI-RESNA testing requirements and ISO 7176 series EN12184 standards. All specifications subject to change without notice.**

# APPENDIX I - SPECIFICATIONS

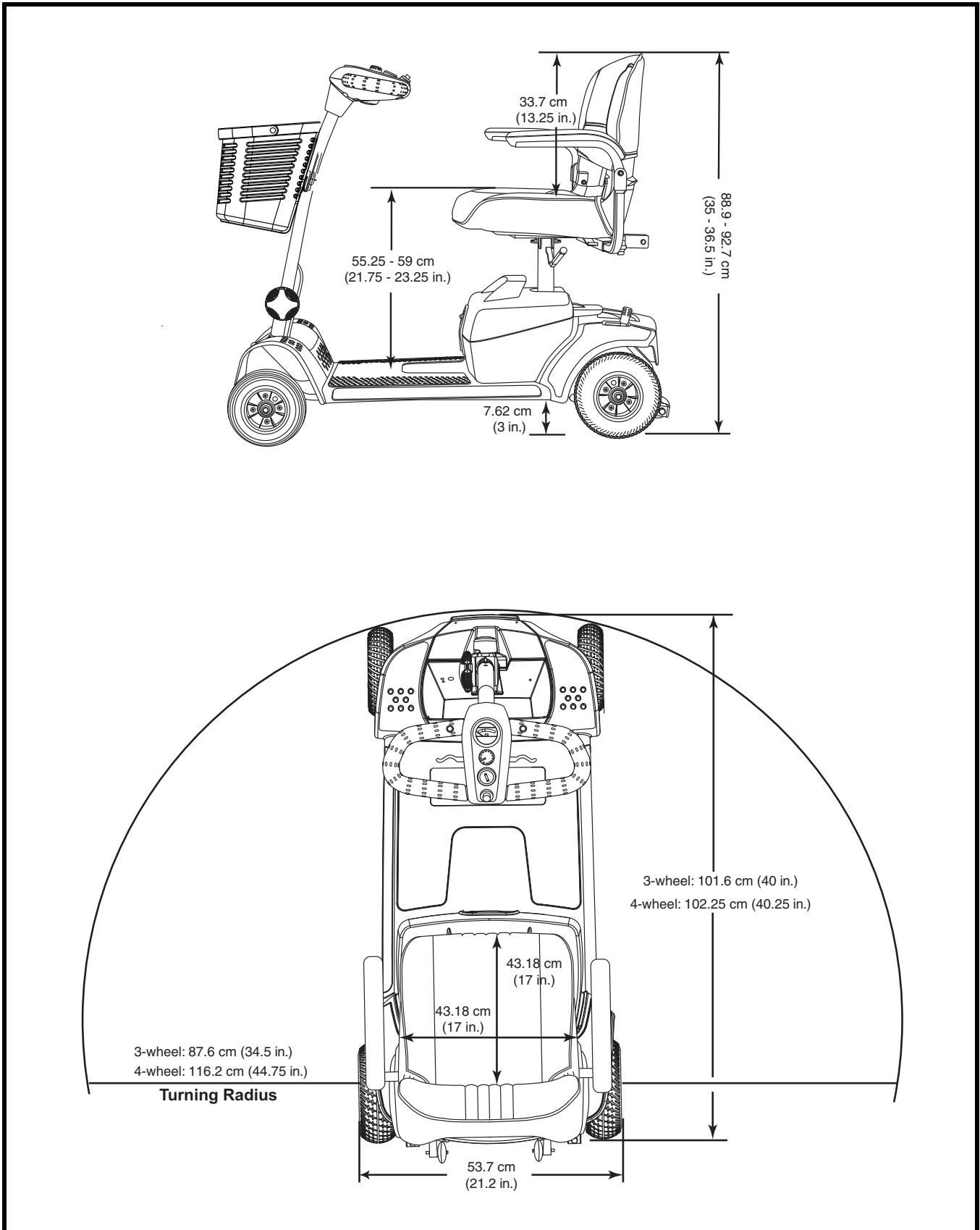


Figure 26. Travel Scooter Dimensions