

TGA *Breeze Midi*

Breeze Midi 3 & 4 Operating Instructions and Owner's Handbook



CONTENTS	PAGE
INTRODUCTION	3
ASSEMBLY	4
THE CONTROLS AND INSTRUMENT PANEL	4
SEAT ADJUSTMENT	6
DRIVING	7
TRANSPORTING VITA	8
PARKING BRAKE RELEASE	8
SAFETY OVERLOAD SWITCH	8
TIPS, CAUTIONS, PROBLEMS AND ADDITIONAL FEATURES	8
BATTERY CHARGING	9
A GUIDE TO SAFE AND LASTING BATTERIES	9
MAINTENANCE	10
TROUBLE SHOOTING	11
TECHNICAL SPECIFICATIONS	11
WARRANTY	12
SAFE DRIVING TIPS FOR SCOOTER USERS	13

1. INTRODUCTION

The TGA Breeze Midi – Thank you for purchasing from TGA. We hope your Breeze Midi will bring much freedom and pleasure to your life.

This handbook provides important information on the most common operational and maintenance concerns that the user should be familiar with. It is very important that the user is familiar with the driving technique and is able to operate the controls competently before venturing far from where there is assistance.

The handbook will draw your attention to important safety related issues by **Care! Warning** Labeling. Keep this handbook for future referral. For safety reasons this handbook must be read completely before using your Breeze Midi.

Care! Warning

- * Do not ride your Breeze Midi without fully reading and understanding this instruction manual first.
- * Do not exceed the maximum gradient/slope of 20°.
- * Do not carry passengers or exceed the maximum carrying weight (see Technical Specifications).
- * Do not get on or off your Breeze Midi unless it is switched off.
- * Do not switch your Breeze Midi on with the speed control lever depressed.
- * Do not back your Breeze Midi into uneven inclines or surfaces. Be cautious when traversing slopes.
- * Do not drive your Breeze Midi in a confined space unless the speed adjustment is set to low.
- * Do not turn suddenly at full speed, especially on uneven or hilly ground. Failure to observe this may result in tipping of the scooter.
- * Do not drive your Breeze Midi unless the seat is locked into the driving position.
- * Do not drive your Breeze Midi over deep, soft terrain (e.g. soft dirt, deep grass, loose gravel or sand).
- * Do not operate your scooter when under the influence of alcohol or certain drugs, which may impair your safety.
- * Do not climb or descend curbs that exceed the Breeze Midi's capability.
- * Do not turn when negotiating curbs. Always approach curbs at low speed and straight.
- * Always stop fully before changing direction (forward or reverse).
- * Always keep your feet on the vehicle when driving.
- * Always proceed carefully while riding your scooter, especially as you approach the downgrade of a ramp or hill.
- * Always proceed carefully while riding on uneven surfaces.
- * Do not sit on your Breeze Midi while being transported in a moving vehicle. Always restrain the scooter so that it cannot move in the vehicle and transfer yourself to a vehicle seat.
- * Do not drive your Breeze Midi through deep water or clean with a high pressure hose.
- * Never attempt to freewheel down a slope as all braking will be lost.
- * Safe driving tips for scooter users have been printed in the back of this manual. For your own safety and that of others please ensure that you thoroughly read and understand this and in addition always obey the rules of the road.

Intended Purpose

The Breeze Midi is intended for outdoor use and can negotiate gradients up to 20°. It has fully active front and rear suspension and is suitable for use over uneven ground. It can negotiate obstacles up to 100mm high but care must be taken when negotiating such conditions.

Pavement Use

The speed of the Breeze Midi is dependent on the weight of the occupant, incline and the type of surface. Tested with a weight of 18 stone (114.55kg) the Breeze Midi had a speed of 7.5/8mph on the flat, on high speed setting. When used on the pavement, the UK law limits the speed to 4mph. For pavement use make sure 4mph is selected, and drive with care and have consideration for pedestrians.

2. ASSEMBLY (WHERE NECESSARY)

The Breeze Midi was pre-delivery inspected and tested prior to dispatch. The batteries may have been disconnected for delivery purposes only.

The scooter should have been delivered to you in a ready to ride condition, however if for whatever reason it was delivered in a carton please take the following action.

Remove all the items from the carton and strip the protective packaging materials off each item. Returns are only accepted when the product is shipped in the original cartons with the original packing material installed. In order to fit in the carton, the seat back and tiller will be folded down.

Removal and Replacement of seat – To remove seat, pull the lever located under the seat at the right hand side (fig 2.2) forward and lift the seat straight up and out. Take care as the seat is a fairly heavy component. Replacing the seat is just a reversal of the above.

Tiller Adjustment – Release the tiller adjusting lever by pushing to one side, then move the tiller up or down to your choice. Make sure it locks in before use, fig 1.1.

Rear Cover Removal – Remove seat, then unscrew the three black fixing screws located one in each corner of the cover and pull the cover up sharply from the back as there are two clips locating it. Replacement is just a reversal of the above, ensuring the cover locates correctly.

Care! Warning

The Breeze Midi is easy to drive but it is essential that you familiarise yourself with the controls and learn to drive it in a safe area with sufficient room to manoeuvre for your safety and that of others. The area should be free of obstacles and reasonably flat. Mark a practice course for straight line driving, turning in confined spaces, reversing and driving around obstacles.

3. THE CONTROLS AND INSTRUMENT PANEL

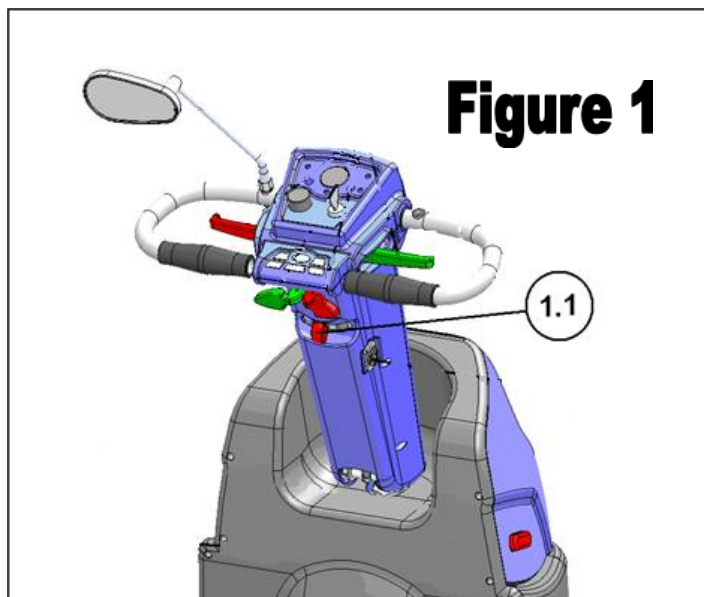
Figs 3 and 4 Provide details of the control system. Listed below are the various controls and their uses.

1. **Speed Control Levers** - The speed of Breeze Midi is controlled by the levers located on the left and the right of the instrument console Fig 3.1. and Fig 3.2. Primarily the right hand lever is the forward speed control and the left hand lever is reverse. However both levers can do both functions simply by pushing up or down. Either lever can be operated by thumb or forefinger simply by holding a different section of the Delta handlebar and obviously left or right handed people are accommodated. Always use the lever gently, remembering that the more you move the lever, the quicker you will go. To stop simply release the lever, the braking is completely automatic and when the machine has stopped the parking brake will engage and stay on until the machine moves off again.

2. **Emergency Brake** - All braking on the Breeze Midi is automatic and the emergency brake should never need to be used. It is only for emergency in the very unlikely event that the automatic braking fails. If used this lever will bring you safely to a halt. Lever located on left handle bar.

3. **Horn** – Buttons located either side of instrument console (fig 4.1). The buzzer will automatically sound when using reverse.

4. **Indicators** - Left and right hand located on the instrument console (fig 4.2). Push the switch on the same direction as you need to turn. To stop the indicators, push the button in again

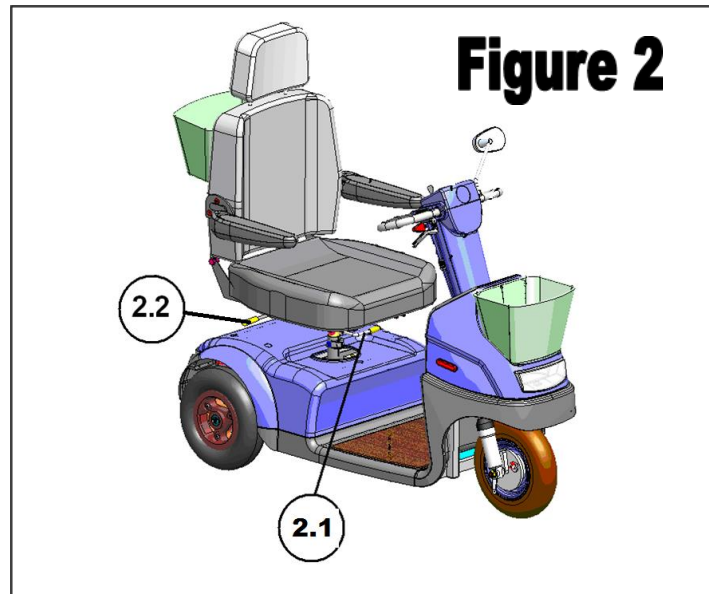


5. **Indicator Warning Lights** - Come on when using indicators (fig 4.3)
6. **Hazard Warning Lights** - Operates all indicator lights together and for emergency use only (Fig 4.4) when in use it will flash both indicator warning lights (fig 4.3).
7. **Head Light Switch** - This switches on front headlight and rear lights (fig 4.5).
8. **Head Light Warning Light** - Will come on when lights are in use. Lights obviously use battery power and will reduce range of scooter. Use only when necessary (fig 4.6).
9. **Power On/Off Switch** - **this** has a removable key which should be taken out when machine not in use. When the key is inserted the switch has two positions, "off" where there will be no power to the machine and the parking brake will be engaged and "on" where the machine is ready for use (fig 4.7).
10. **On Light** – When the key is turned on, the 'ON' light on the control panel will be illuminated (fig 4.8).
11. **Pre – Select Speed Control** – This is located on the instrument console (Fig 4.9) It is extremely useful when shopping in supermarkets etc, as although your speed is still controlled by the speed control levels the pre-select control will if turned fully anti clockwise limit your speed to around 2mph. Turning the control fully clockwise is the maximum speed of 8mph for road use and the setting in the middle marked 4mph is for pavement use.

CARE! WARNING

It is a legal requirement not to exceed 4 mph on footpaths or shopping areas. Always use the slow speed when driving inside buildings, crowded areas, sales, stately homes etc. Using the faster speed in these sorts of conditions presents a serious danger both to you and people on foot. Don't forget these machines are very quiet and others may not be aware of your presence. The 8 mph speed is only legal for road or off road use.

12. **Battery Charge Socket** – (fig 3.3) See section on charging.
13. **Battery Condition indicator** - (fig 3.4) this is shown on the control panel and with the key switched on the needle will show the state of charge of the battery. It is impossible to be very specific about battery range because there are many factors involved, i.e weight of user, type of terrain etc. However as the power in the battery gets used the needle will move down the scale. Whilst the needle is the top of the green it is showing the battery in a fully charged state. With use it will move down the scale eventually into the amber. At this point you need to be thinking of getting back to re charge the batteries. By the time the needle gets into the red you only have probably one or two miles of use left and it is very important to get your Breeze on charge straight away. It is important to only use the Breeze on short runs to start with to explore the sort of range you will be achieving. When you are confident about range, start going on longer journeys.

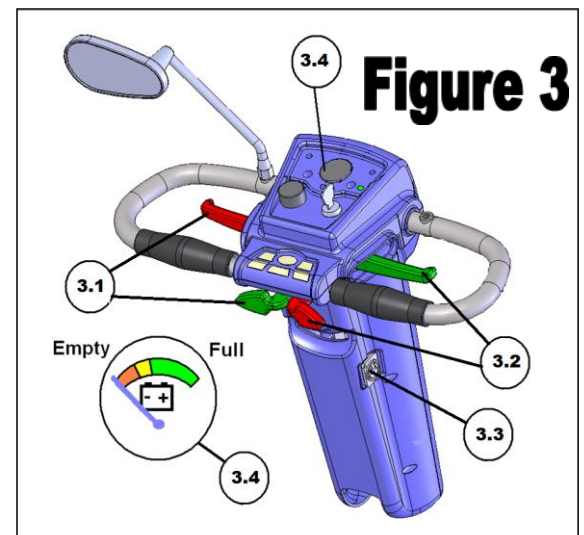


14. **Sleep Mode** – If the Power Key is inadvertently left switched on for a period of time, the Breeze Midi will automatically shut down into a power saving mode. To restart, switch the key off for a few seconds then switch on again and power will be restored.

15. **Fault Indicator** – the 'Power ON' light is also used as a fault indicator. If there is a problem this light will flash a certain code. Check it is not the parking brake release and if it is not and the light is still flashing phone your agent or TGA for advise.

4. SEAT ADJUSTMENT

1. The seat can be swiveled and lock into one of several positions. This allows a variety of different positions if you need to sit at a table etc. Swiveling it within 90° allows easy entry and exit. The lever is located on the right hand side of the seat. When the lever is released make sure the seat locks into place (Fig 2.2).
2. The seat adjustment lever located at the front of seat allows the seat to be adjusted forward or backward (fig 2.1).
3. The Backrest Adjustment lever located at the RH side of the seat allows the backrest to be adjusted for comfort.
4. Both armrests can be adjusted for angle, by use of the allen head screws located under the armrest. The armrests can be hinged up for easy access and the headrest can be made higher simply by pulling gently upwards.
5. The Seat Height is adjustable and can be reset by removing the seat and top cover (see previous instruction). You will see the seat post and a bolt going through it from right to left. Remove the bolt and pull up the inner seat post. You will see several adjustment holes. Select the one of your choice and refit.



5. DRIVING

Before driving make sure that the Battery is fully charged, check that the tyres do not appear to be soft, see Maintenance section for details of monthly checks and tyre pressures. Check that the Key is switched OFF before entry. When comfortably sat, ensure that the seat lever has locked the seat secure. Ensure that the armrests are in the down position.

1. Set the Breeze Midi speed to slow. Hold the Tiller with both hands and gently ease the control lever to move the Breeze Midi forward. The more you pull the lever, the faster you will go. Always come to a stop before adjusting the pre – select speed control, or forward and reverse.

2. Releasing the control lever automatically operates the brakes to slow down and stop. Once stopped, the parking brake will automatically come on.

3. Use the Tiller to steer.

4. To negotiate from pavement to road, or road to pavement, you should try to find a suitable slope. The Breeze Midi will mount, or go down kerbs 100mm high, but you should approach a kerb at right angles (90°). You should stop just short of the edge and:

If you are going up; select the high speed setting then drive until both front and back wheels are on the pavement, then immediately lower the speed.

If going down, proceed slowly on low setting until on the road, then switch to a suitable higher speed to cross the road safely. Do not attempt kerbs higher than 100mm and do not go up or down at an angle, always 90°. Do take extra care and if you are going from pavement to road, make sure the road is clear. Anything different to the above could result in an accident and injury.

5. The Breeze Midi is suitable for road use BUT great care must be taken and at the maximum speed of 8 mph, you may present a hazard to other faster moving road users. (See safe driving tips at the rear of this manual.)

6. Watch your Battery Indicator. The distance you can travel depends on many factors, the more slopes, the less distance you can travel. We recommend that you gradually explore going further each day.

7. Should the battery “run out” before you get home there are two things you can do to avoid being stranded. Stopping and switching off the KEY for 5 – 10 minutes will allow the battery to “recover” a little power so that you can proceed further. You can attempt this a number of times. If you are unfortunate and cannot return to home under the battery power there is a “Free Wheel” device that will allow someone to push the Breeze Midi and you home (see Parking Brake Release).

8. Range is influenced by many environmental conditions, hills will substantially decrease the range. Establish what you can obtain around your locality by gradually increasing the distance and checking the battery indicator at the end of each journey.

9. Reducing the speed will also reduce the power. For climbing obstacles or hills you will need to increase the speed setting to high to give the power and then control the speed with the levers.

Parking

1. Before leaving the scooter, switch the ignition off, the battery indicator will then go off. Remove the ON/OFF Key for security.

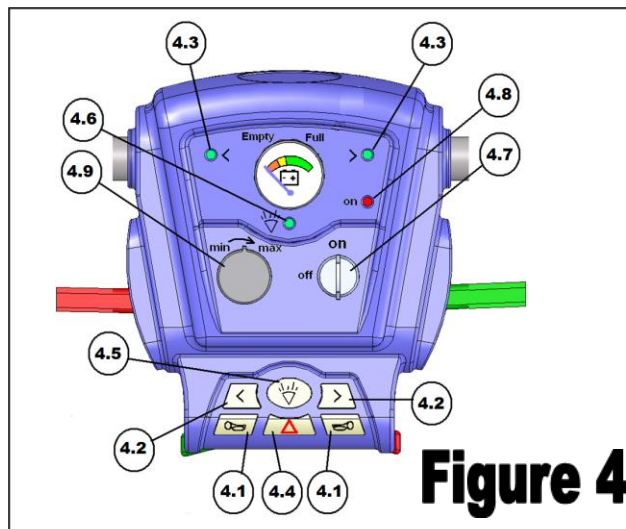
2. If the Breeze Midi has been used in the Free Wheel mode (see Parking Brake Release), it is VERY IMPORTANT to re-engage the drive to ensure that the scooter brake is on before you alight.

3. Flip up the armrest to make it easier to alight from the Breeze Midi, or swivel the seat through 90°.

6. TRANSPORTING BREEZE MIDI – When transporting Breeze Midi in a motor vehicle the height can be reduced by the removal of the seat and laying the tiller flat. In addition the weight can be reduced by removal of the batteries. Remove the top cover and unplug the plug and socket connection to each battery (described previously). Undo the Velcro straps and remove batteries. Once loaded everything must be securely strapped down including the scooter itself and anything removed from it. The user must never travel in a vehicle seated on Breeze Midi but should transfer to a proper vehicle seat. CARE WARNING – All components are heavy, seek help if you think you may injure yourself when lifting.

7. PARKING BRAKE RELEASE – Breeze Midi is fitted with a manual brake release. This is located on the back panel to the left of the right hand rear wheel. The down position is normal use, pushed up releases the brake and just allows Breeze Midi to be pushed. There will be no power to drive Breeze Midi when the brake is in this position, however when switched on the 'on' light will come on and flash and the horn will work. Never release this lever when Breeze Midi is on a slope. Push lever down to regain normal drive.

8. SAFETY OVERLOAD SWITCH – If the motor or electrical circuits become overloaded, steep slope or high kerb would be possible examples that could cause this, the overload switch may activate. This will cause a complete electrical shutdown of the Breeze Midi and the parking brake will come on. It can be reset after a small time delay. It is located at the front of the rear cover under the seat. Simply push the button in. If the button refuses to stay in, leave for a few minutes and try again. If it refuses to reset get in touch with your dealer. Never attempt to hold the button in by any other means. A charging overload button is located next to the above. If there is a problem with the charging check this button by the same process as above



9. TIPS, CAUTIONS, PROBLEMS AND ADDITIONAL FEATURES

Stop Problems before they Start

If you detect an unusual vibration or noise in the operation of your Breeze Midi, try to determine the cause. Be sure the power is off before investigating. If you cannot discover the cause of a problem contact your Breeze Midi dealer or TGA for help.

Airline Checking

Sealed Lead Acid Batteries are permitted on aeroplanes. A sticker on the battery case states what they are. Airline personnel may insist on removing the battery cover to verify its contents. It is best to check with the airline before hand. An airline compliance certificate is available from TGA.

Storage

Avoid storing your Breeze Midi in locations with extreme heat or cold. A cool dry location is ideal if possible. The following steps will help keep rust and corrosion from impairing your scooters function and appearance. Turn the key to the off position. Clean all exterior surfaces, touch-up any damaged paint. Check and inflate the tyres to 20 PSI front and 25 PSI rear. Be sure the battery is fully charged before prolonged periods of storage and be sure to recharge every 6 weeks. Failure to comply may result in battery replacement.

Batteries

Keeping your Breeze Midi working to its maximum potential means that its two batteries must be maintained with full power. Nightly recharging, after reasonable use, will help you to give them a longer life and will ensure your Breeze Midi is always ready to go when you are. However, occasionally running the batteries down as far as safely possible is also a good idea as it allows the batteries to then take a full charge.

Your Breeze Midi is fitted with two sealed maintenance free batteries, especially designed for powered mobility. This means that you do not have to worry about topping up the cells.

Care! Warning

Do not attempt to remove the safety valves located on top of the battery. Failure to observe this warning will void your battery warranty.

Your Breeze Midi batteries are maintenance free because the electrolyte is immobilized in a special form and will not leak out, even if the batteries overturn.

10. BATTERY CHARGING

The battery charger supplied is special to your Breeze Midi and so it may not be suitable for any other powered mobility product. Only use the charger supplied with your Breeze Midi as other makes of chargers may permanently damage your batteries and would void the warranty.

To charge your batteries follow these simple steps.

1. Switch OFF your Breeze Midi and remove the key.
2. Plug the charger lead into the socket located on the tiller (fig 3.3).
3. Push the plug from the charger into a suitable wall outlet and switch on.
4. A red light on the charger will come on advising power is on.
5. An orange light will come on indicating it is charging.
6. After a further period of time a green light will show advising the batteries are fully charged.
7. At this time the charger can be disconnected and the Breeze Midi is ready for use. NB At the point the green light comes on the charger will automatically stop charging although the light will still be on. The batteries cannot overcharge.
8. Although to get out of trouble the batteries can be put on charge for a short period of time, it is always best to go through a complete charge cycle each time. Excessive short period charging will be detrimental to battery life.
9. For the best results and to prolong battery life, try to run the battery down by at least 50% before recharging and in addition it is always best to go through a complete charge cycle each time.
10. Depending on the depth of the discharge, the minimum time taken to recharge serviceable batteries fully will vary up to 12 hours. Please note that this time may increase as batteries get older. During periods without use (perhaps during the winter) it is wise to charge the batteries every 4 to 6 weeks.
11. For the best results your batteries must be cycled for their first 10-15 charges. This means run them down as much as you safely can in use and then give them a full charge. They will not work at their best until this process has been carried out. It can also prolong battery life.

You will find that the distance that your Breeze Midi can travel will gradually increase over the first few weeks of use as the batteries reach their optimum efficiency after approximately 12 cycles of discharge and recharge. NB When the charger is plugged into Breeze Midi an automatic inhibit device will shut down the scooter stopping anything being used whilst plugged into the charger.

From time to time the type of charger may change so please read instructions on charger.

Care! Warning

- * Do not smoke or use a naked flame while your batteries are being charged.
- * Do not use the charger if it has received a sharp blow, been dropped or otherwise misused in any way. Take it to a qualified technician.
- * Do not dismantle the charger. This will void the warranty.
- * Do not leave charger plugged into your Breeze Midi with charger switched off as this may discharge your batteries.
- * For a complete charge – Do not switch off, unplug or interrupt the recharge cycle until the charging cycle has completed.

11. A GUIDE TO SAFE AND LASTING BATTERIES

- * For longest life, your batteries should be recharged after reasonable use.
- * If your Breeze Midi is not used for a period of time, a refreshing charge should be given every 4-6 weeks. Never leave your batteries in a discharged condition. This is particularly important to sealed batteries such as the type in your Breeze Midi.
- * If your Breeze Midi is to be stored away for some time, make sure the batteries are fully charged before storing. Fully charge the batteries before re-using it.
- * Every six months, check the connections on the batteries, making sure they are tight and clean.

Batteries carry a limited warranty from the original manufacturer, which is subject to a stringent wear and tear clause. Any battery faults due to a defect by the original manufacturer will normally become obvious within the first two months. Any gradual deterioration in performance after this period is normally associated with fair wear and tear; misuse or accidental damage is not covered by the manufacturer's warranty.

12. MAINTENANCE

We recommend that the Breeze Midi has an annual service and maintenance check by your Breeze Midi Dealer or TGA Ltd. This is very important and can help to avoid breakdowns. The following are weekly/monthly checks that will keep the machine in good running order.

- Do not apply oil or grease to any components. Sealed bearings and nylon bushes eliminate the need for lubrication.
- Keep all components clean and dry.
- Keep tyres inflated. Low tyre pressure will degrade performance so it is very important to check pressure frequently.
- Check tyres for wear. Replace as soon as there is any sign of excessive wear.
- The Breeze Midi uses maintenance free batteries, they are leak-proof regardless of position. Charging the battery is the only maintenance required (refer to charging instructions). DO NOT leave the batteries flat, charge every 4-6 weeks if the Breeze Midi is being stored and not used.
- Check the electrical cable connectors are fully home and secure.
- Battery Replacement is dependent upon use, the batteries generally last up to 3 years. When batteries lose power too quickly, it is likely they are due for replacement. If there is no dealer in your area, you may want to change the batteries yourself. Order batteries direct from TGA Ltd. Installation instructions are included with the replacement batteries. If required TGA can come out and fit batteries for you.
- Repairs relating to electrical or mechanical components should be performed by your Breeze Midi dealer only.

Seat Upholstery: A damp cloth and a little soap will keep your seat, and backrest looking good. Do not use abrasive cleaners as this will damage the coating. Upholstery can be damaged by chemical cleaners. Ultraviolet light can also reduce the life of the upholstery coating material. This is a normal ageing process and cannot be guaranteed (see exclusion in the Warranty Terms section).

Bodywork: The bodywork on your Breeze Midi can be lightly washed with clean soapy water. Car polish can be used to keep the paint and bodywork in pristine condition. Do not use abrasive cleaners or strong detergents as this will fade the colour.

CAUTION: Do not hose down your Breeze Midi. Water could be forced into the electronics and cause permanent damage.

DO NOT store your Breeze Midi in damp conditions. This may affect the electronics if left for very long periods of time.

Electronics: Servicing of the drive electronics and charger should only be carried out by your local TGA service dealer. These units are sealed and should not be opened. BROKEN SEALS WILL VOID YOUR WARRANTY.

DO NOT operate your Breeze Midi in extreme weather conditions i.e. very heavy rain. **DO NOT** drive through deep water. This could damage the main electronic controller on the electronics.

Motor Brakes: If the motor brakes are functioning correctly, you will not be able to push your machine when it is switched off or switched on with the speed control throttle in the neutral position.

If your machine can be pushed when as described above, the motor brake(s) may be faulty. **Do not use the scooter and contact your TGA dealer.**

SAFETY NOTE: For your own safety, we recommend that you check the function of your brakes prior to every journey.

Driving Brake: When you drive your Breeze Midi and let go of the speed control lever, it should reduce speed very quickly. If you notice a change in the normal driving/slowing condition and your Breeze Midi does not slow down quickly ***please do not use your machine and contact your TGA dealer***

Batteries: Keep your batteries well charged (see Battery Charging section). Keep batteries clean and in a dry frost-proof place. Keep battery terminals tight.

IMPORTANT: It is not possible to predict the life expectancy of your batteries. This is mainly due to different workloads a battery can be subjected to.

Some Breeze Midi users will use their scooter every day and for long periods of time. Their batteries will receive a near total and regular discharge and the life of their batteries will be short (12 months or less in some cases). Other Breeze Midi users will use their vehicles less frequently, putting their batteries through a less demanding discharge lifestyle. These batteries will probably have a longer life (12 to 24 months or longer).

When you need to replace the batteries, always insist on the model fitted as standard equipment to your Breeze Midi. If In doubt, consult with your local TGA authorized dealer.

13. TROUBLE SHOOTING

1. Your Breeze Midi will not start:

- * Make sure that the key switch is turned on. If it is, the battery condition gauge will be operating. If it is showing empty – recharge batteries
- * Check overload switches
- * Check brake release is engaged

2. The battery condition gauge fails to operate when the key switch is in the on position, check the following:

- * Make sure the battery charger is not plugged to the wall outlet, this will prevent drive. Check brake release is not disengaged.
- * Check the battery connectors, battery terminal condition.
- * If none of the above contact your Breeze Midi Dealer.

3. If your Breeze Midi does not slow down or the variable speed control does not work:

- * Turn off the power on key switch.
- * Inform your authorized TGA dealer.

4. The Breeze Midi stops and will not restart.

- * Check the overload switch, which can be reset by simply pushing the button in (Section 9. Safety Overload Switch).

CAUTION: If you find for any reason your Breeze Midi does not reduce speed when you let go of the speed control lever, use the manual brake on the handlebars. If this fails to stop you, switch your Breeze Midi off with the ON/OFF key. The parking brake will activate immediately and stop your Breeze Midi. Beware the machine will stop very suddenly so brace yourself with the handlebars and sit back on your seat.

Care! Warning This operation should only be carried out as on emergency; continual use of this procedure will damage the drive transmission and motor brake. Consult your authorized TGA dealer before using your scooter again if you feel for any reason that your Scooter is not driving correctly or making unusual noise, stop using the scooter. Be SAFE, contact your TGA dealer, he will be able to advise you.

14. TECHNICAL SPECIFICATION TGA Breeze Midi Class 3 – 4 & 8mph Vehicle

Dimensions	BREEZE MIDI	
Overall Length	1330 mm	51 ins
Overall Width	675 mm	25 ins
Turning Radius	1500 mm	50 ins
Ground Clearance	90 mm	3.5 ins
Seat Height (from foot platform) Adjustable	500 mm	19.5 ins
Seat Width	460 mm	18 ins
Backrest Height	520 mm	20.5 ins
Tyre Size Front	4.10/3.50-6 ins	
Tyre Size Rear	4.10/3.50-6 ins	
Tyre Pressure (Front)	20 PSI	1.4 bar
Tyre Pressure (Rear)	25 PSI	1.7 bar
Weight (including batteries)	120 kg	264 lbs
Battery Weight	15 kg each	33 lb each
Maximum Carrying Weight	130 kg	20 stone
Maximum speed	12 kph	7.5 – 8 mph
Safe Climbing Angle	17 deg	
Range (affected by user/terrain/conditions)	Up to 32 km	Up to 20 miles
Motor	24V 900W	
Controller	P & G 'S' Drive	
Charger	115-230 volt 4 amp	
Battery	2 x 12v 40 a/h sealed lead acid	

15. WARRANTY

This is to certify that your TGA product is warranted by TGA for a period of twelve months from the date of purchase subject to the following conditions:

1. This warranty is extended only to the original purchaser/user of the TGA product identified by the product serial number located on the frame. This warranty is not transferable.
2. TGA will repair or replace free of charge any part found upon inspection by an authorised representative of TGA to be defective in material and/or workmanship.
3. If a defect or fault is discovered, the dealer from where the product was purchased should be notified immediately.

Warranty Exclusions

- Tyres (these are normal wear components and replacement is not warranted)
- TGA will not be responsible for defects caused by abuse in return transit, vandalism, misuse, abuse, accident, negligence, alteration or misuse caused by non-observance of instructions set out in the Operators Manual
- This warranty does not cover commercial or rental use of the Breeze Midi or any use other than normal.
- Upholstery and seating (these are normal wear components and replacement is not warranted)
- Returns are only accepted when the product is shipped in the original carton with original protective packing materials installed.
- Returned goods to be sent to TGA carriage paid. If a successful warranty claim is found TGA will pay return carriage. There is no other express warranty. Any and all other implied warranties are excluded. Your rights as a consumer are not affected.

Service Information: Only genuine TGA Spares should be used.

An authorised TGA dealer will service your Breeze Midi under the terms of the above stated warranty. Servicing dealership personnel are trained professionals. They should be able to answer any question you may have. If you encounter a problem that a dealer does not solve to your satisfaction, please discuss it with the dealership's management. The Service Manager or General Manager can help. Almost all problems can be solved in this way. If you are dissatisfied with the decision made by the dealership's management, contact TGA for advice.

16. SAFE DRIVING TIPS FOR SCOOTER USERS

Scoters fall into two categories, Class 2 which is essentially a 4mph pavement vehicle and can only legally be used on the road when either crossing over or because there are no footpaths. A Class 3 vehicle is capable of 4 & 8 mph and provided it is fitted with front and rear lights, flashing indicators, horn and rear view mirror it is legal for use on the road. It can also be used on the footpaths but must not exceed 4 mph. Class 2 & 3 vehicles must not be driven on Dual Carriageways, Motorways, Bus Lanes or Cycle Tracks.

INSURANCE - There is no legal requirement for insurance but it is a very good idea to have cover for fire and theft, accidental and malicious damage, and also third party damages. Just phone Telesales at TGA (01787 882244) and they will talk you through it.

BREAKDOWN & GET YOU HOME SERVICE - Again a very good idea and can take a load of worry off your mind. Just talk to Telesales at TGA.

MOBILE PHONE - An essential item if you are out there alone. You never know, breakdown, accident, health - communication is a must.

CARRYING LOADS

Do not overload. It may make the vehicle unstable and reduce its range. Place heavy loads inboard – in the middle – not behind the back wheel which can lighten the steering or can cause the front end to lift off the road on a bump, and not at the front which might make steering heavy.

WATCH YOUR BRAKES

Never try to drive, or even sit on your vehicle while it is in "free wheel". The electronic brake will be out of action and the vehicle could run away with you.

MAINTENANCE

Do carry out the checks listed in this manual regularly and also have the machine serviced at least once a year.

TYRES

Keep tyres at the pressure recommended by the manufacturer. They will last longer and be safer. Replace when they become worn. Soft tyres will reduce the range of your batteries.

LIGHTS

Check lights regularly. Use your lights frequently, at dusk onwards, on a dull or rainy day. However, remember the use of lights may reduce the range of your scooter.

SENSIBLE GUIDELINES FOR SAFETY

When using the footpath – Just because you are on the footpath or pedestrian precinct does not make you a pedestrian. If you are on a motorized vehicle you are no longer a pedestrian.

Remember pedestrians always have right of way! - Many people on foot will be kind and helpful to the drivers of a wheelchair or scooter, but not everyone!

In a crowded precinct, market area, or footpath - It is your responsibility to ensure you do not run into anyone or do any harm with your vehicle. While many people will make way for you, you cannot expect **everyone** to do so. Some will appear to not even realize you are there. They will climb round and even over your vehicle rather than allow you room to move. Also be very aware of people's feet.

When climbing or descending kerbs – Always approach at right angles, with your front wheels straight on to the kerb. Do not climb or descend kerbs higher than the manufacturer recommends. Move carefully, to avoid traumatic bumps – to yourself or the vehicle. Kerb climbing in any other manner than that described above will lead to your machine becoming unstable and the risk of possible accident and injury.

Watch out for:

- Children – They may well run in front of you without warning. You may only be moving very slowly, but you could still injure a child.
- Elderly People – They may be unable to quickly move aside to let you pass. Give way to them
- Disabled people on foot – they too may be unable to dodge you
- People with visual problems or impaired hearing – Give them space and time
- Other motorised vehicle users – You may be doing all the right things. This does not guarantee they will do likewise

When you need help:

You may need to ask people to open doors for you. Most people are willing to help, if asked politely. Don't struggle to do the impossible or even the very difficult things when there are people around who would help if asked.

Driving inside shops and buildings – This is where you have the advantage over car users! Not many supermarkets would welcome a car driving round their store. But bigger shops and even some quite small ones are accessible to wheelchairs and scooters. Once inside the store it is **your responsibility** to drive slowly and safely and not damage the fittings or the stock, or hurt other shoppers or store workers. You may need to ask for help. Again in most cases people are willing if asked properly. Don't risk pulling down a whole display to reach the top shelf. **ASK FOR HELP.**

Speed in shops and buildings – Reduce it! – Drive at the slowest speed to avoid any accident. Be especially careful if you need to reverse, that your way is clear of shop fittings and people

On the Road – Remember you are not driving a car, but a very small and slow vehicle, which is therefore more vulnerable.

If it is possible, use the footpath. It is wise to avoid using roads, particularly busy ones.

WHEN DRIVING YOUR VEHICLE ON THE ROAD:

Remember although this is legal for all Class 3 vehicles it is not always safe or sensible to do so. You are responsible for your own safety and that of other road users. The normal rules of the road apply and you must observe the law about:

- Driving on the left side of the road. Never drive against the traffic.
- One way streets – Never drive against the traffic
- Giving way where cars would give way (details in the Highway Code)
- Obeying traffic lights and all other road signals and instructions
- Giving way to pedestrians on crossings.

Always remember your vehicle is not a car and is small and vulnerable – If you need to turn right across traffic, try to get on to the footpath before the turn and then use a safe pedestrian crossing or traffic light controlled crossing. Only try to turn right if you are completely sure it is safe to do so. Do not rely only on your mirror. It may give a false impression of distance. Always give clear indication of intention to turn left or right.

Remember – the car you can see when you look behind may appear a long way away, but it is almost certainly moving faster than you are, often deceptively so. It could well be upon you before you complete your maneuver. And it may not be able to stop in time.

When passing a parked vehicle – take great care you are not moving into the path of a faster moving vehicle coming behind you, or towards you. Always signal your intention to pull out.

In the event of a difficult or dangerous situation – Use your hazard lights – But do not drive with them on unnecessarily

Please ensure you have read and understood everything in this manual, it has been put together using many years experience to ensure you will get the best from your Breeze Midi and that you will enjoy using it.

Best wishes and safe driving

David Stone

Managing Director



TGA Electric Leisure Ltd • Woodhall Business Park • Sudbury • Suffolk • CO10 1WH
T 01787 882244 • F 01787 882248
sales@tga-electric.com
www.tga-electric.com



TGA Electric Leisure Ltd reserves the right to change specification and/or prices without prior notification or warning

INS04v1